



NEW! PILOT-OPERATED CHECK VALVES

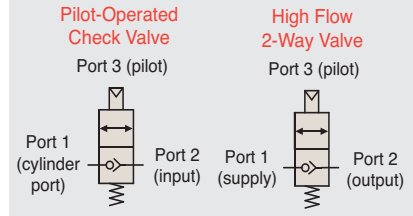


Pilot-Operated Check Valves work as standard check valves, but can be opened with an air pilot signal to permit free flow in the normally “checked” direction. The Clippard Pilot-Operated Check Valve provides the user with a reliable method to check flow in one direction, with the ability to remotely signal a free flow through the valve. Ideal for any circuit that requires this useful function—all in one valve that is easy to connect!

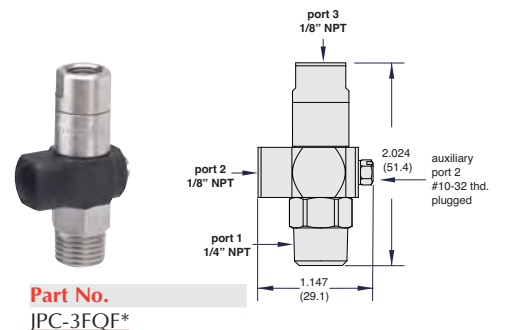
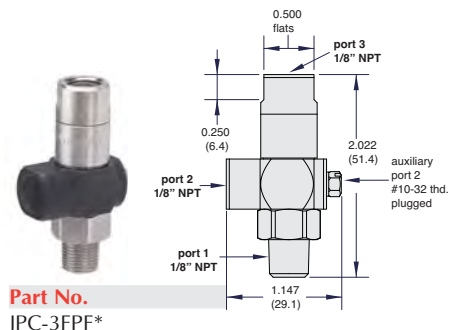
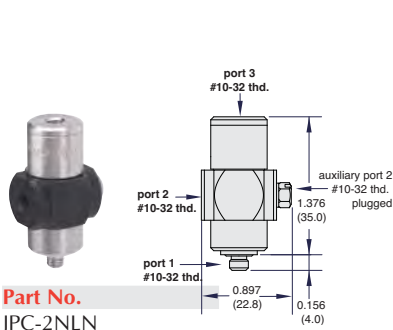
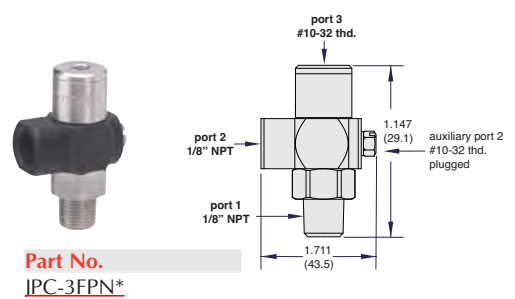
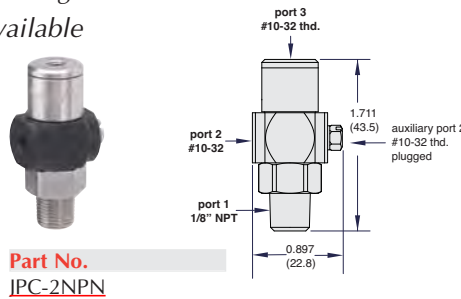
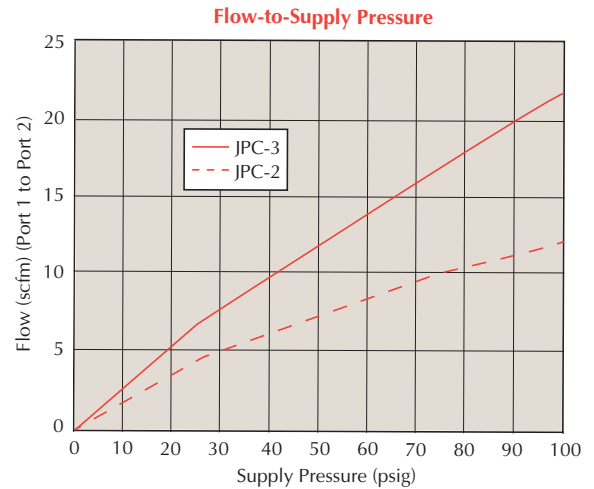
Medium: Air, Water or Oil
Pressure Range: 0 to 300 psig; 0 to 21 bar (see chart below)
Temperature Range: 32 to 230°F (0 to 110°C)
Materials: ENP brass, anodized aluminum, stainless steel, Buna-N seals

For specialty options such as various seal materials, manual override, or specific pilot to supply ratios, please consult factory.

Function/Porting Options



- High flow valve means low pressure drop
- Uses Clippard's superior poppet design
- Variety of port configurations available
- “Auxiliary” port allows ease of plumbing
- Side port (port 2) rotates for ease of positioning



* Also available in corrosion-resistant materials. Add “CR-” to the beginning of the Part No.